

DVI & HDMI Test Adapter Set

013-A014-50, 013-A013-50, 013-A012-50

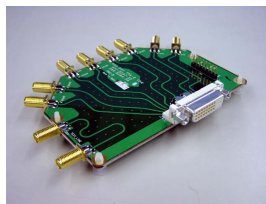
These set are used by the test for DVI/HDMI, and the following thing is contained in it.



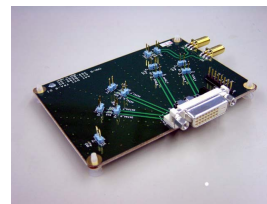
CAUTION. *To avoid personal injury, be careful to the tip of the pin.
Support a board while you connect it to the device.*

■ DVI TPA-R test adapter set: 013-A014-50

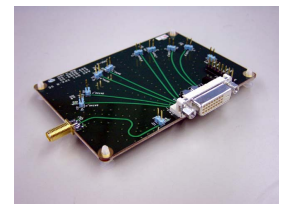
DVI TPA-R TDR 2 ea
DVI TPA-R DI 1 ea
DVI TPA-R SE 1 ea



DVI TPA-R TDR



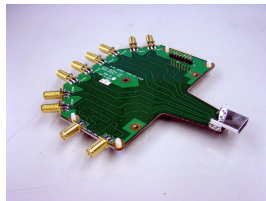
DVI TPA-R DI



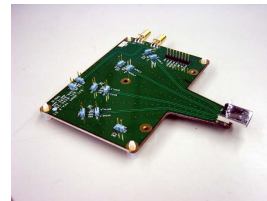
DVI TPA-R SE

■ HDMI TPA-P test adapter set: 013-A013-50

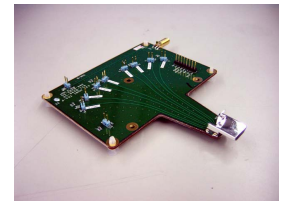
HDMI TPA-P TDR 1ea
HDMI TPA-P DI 1ea
HDMI TPA-P SE 1ea



HDMI TPA-P TDR



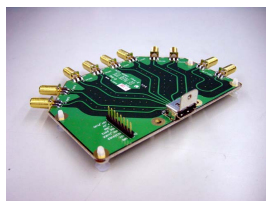
HDMI TPA-P DI



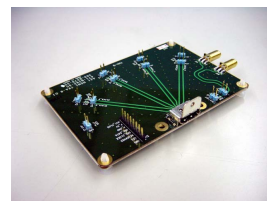
HDMI TPA-P SE

■ HDMI TPA-R test adapter set: 013-A012-50

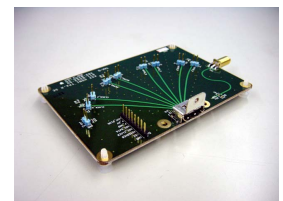
HDMI TPA-R TDR 2ea
HDMI TPA-R DI 1ea
HDMI TPA-R SE 1ea



HDMI TPA-R TDR

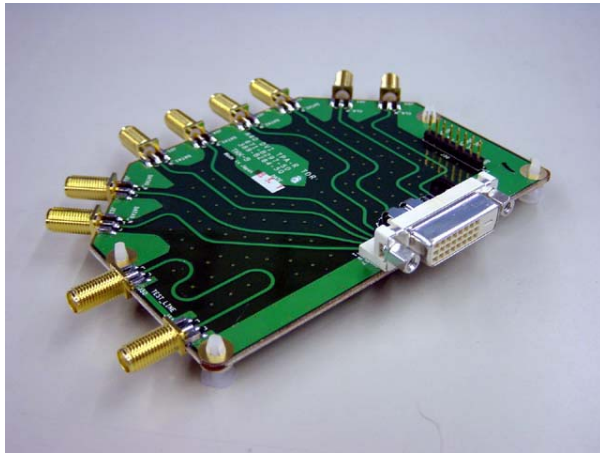


HDMI TPA-R DI



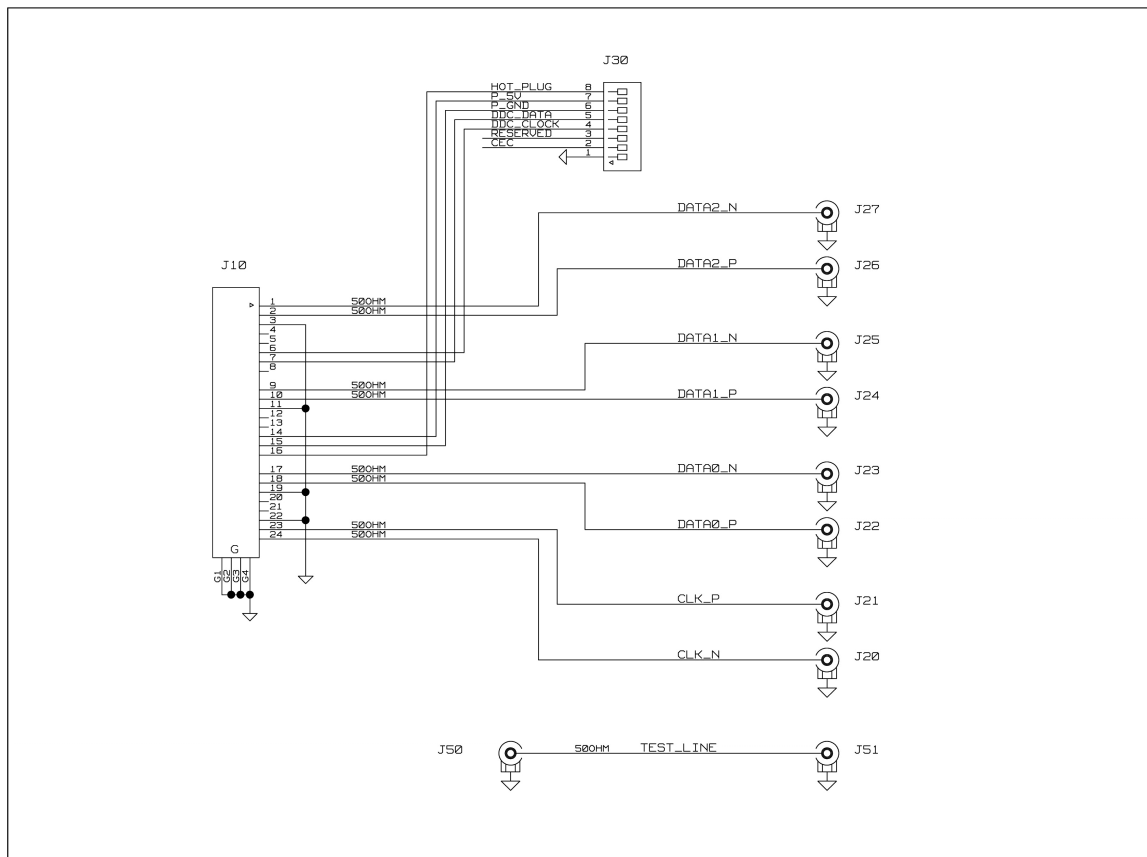
HDMI TPA-R SE

■ DVI TPA-R TDR board

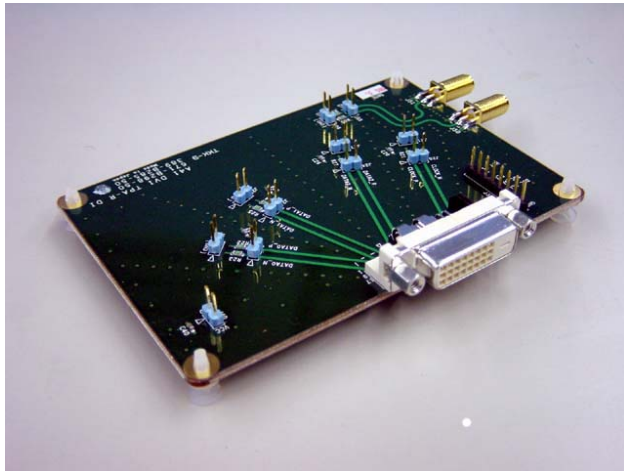


This adapter is used to change the output of the signal generator into DVI or used to measure DVI cable impedance with digital sampling oscilloscope.

J10:	DVI receptacle connector
J20 to J27:	T.M.D.S signal input or output.
J30:	Control signal monitor
J50 to J51:	Impedance validation connector

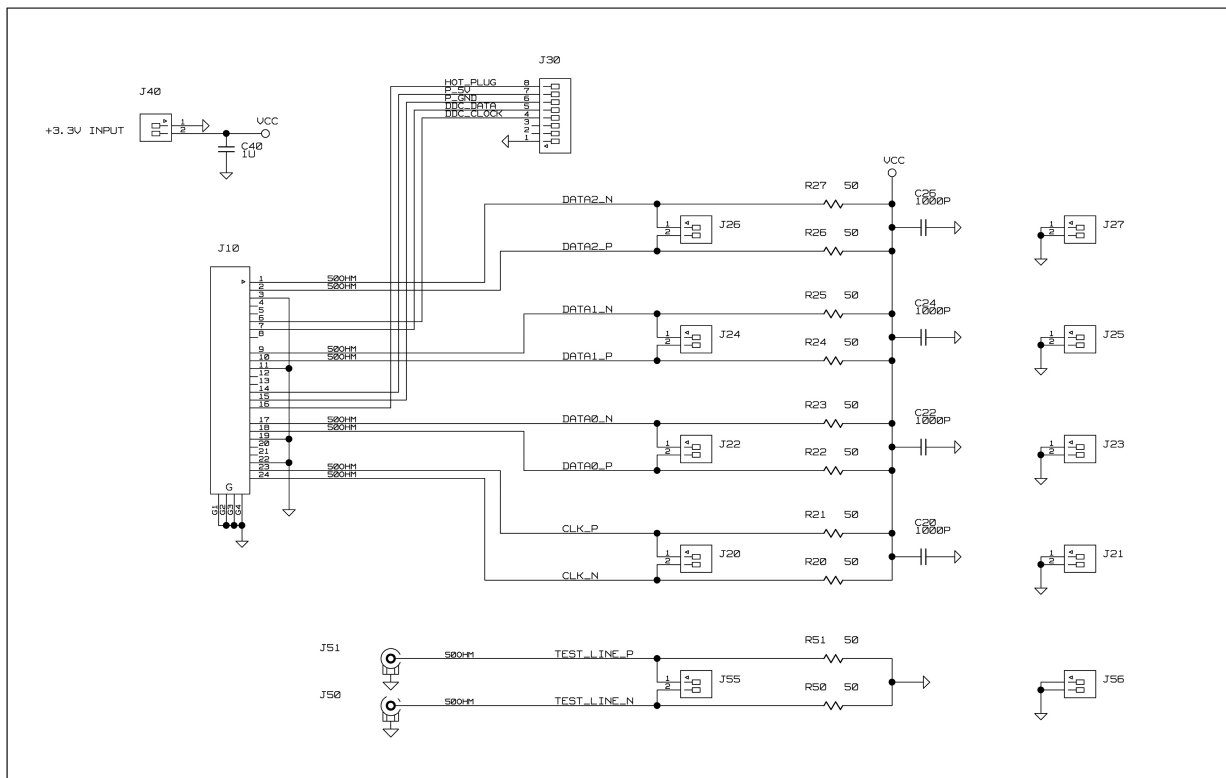


■ DVI TPA-R DI board

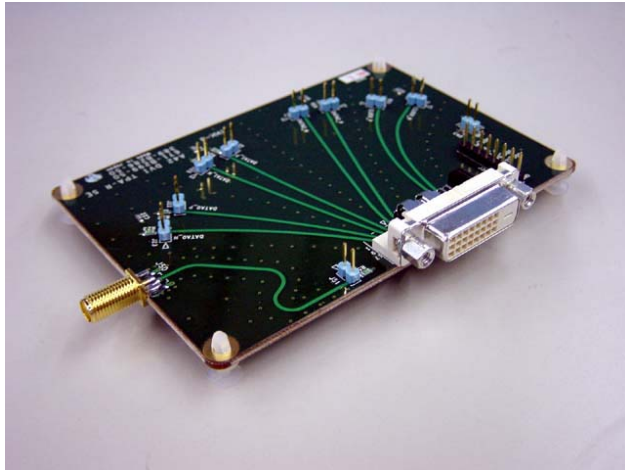


This adapter is used to terminate DVI signal and pick up with differential probe connected to oscilloscope.

J10:	DVI receptacle connector
J20, J22, J24, J26:	Header pin for differential probe
J21, J23, J25, J27:	GND terminal
J30:	Control signal monitor terminal
J40:	VCC(3.3V) input terminal
J50, J51:	Impedance validation connector
J55	Test signal monitor terminal
J56	GND terminal

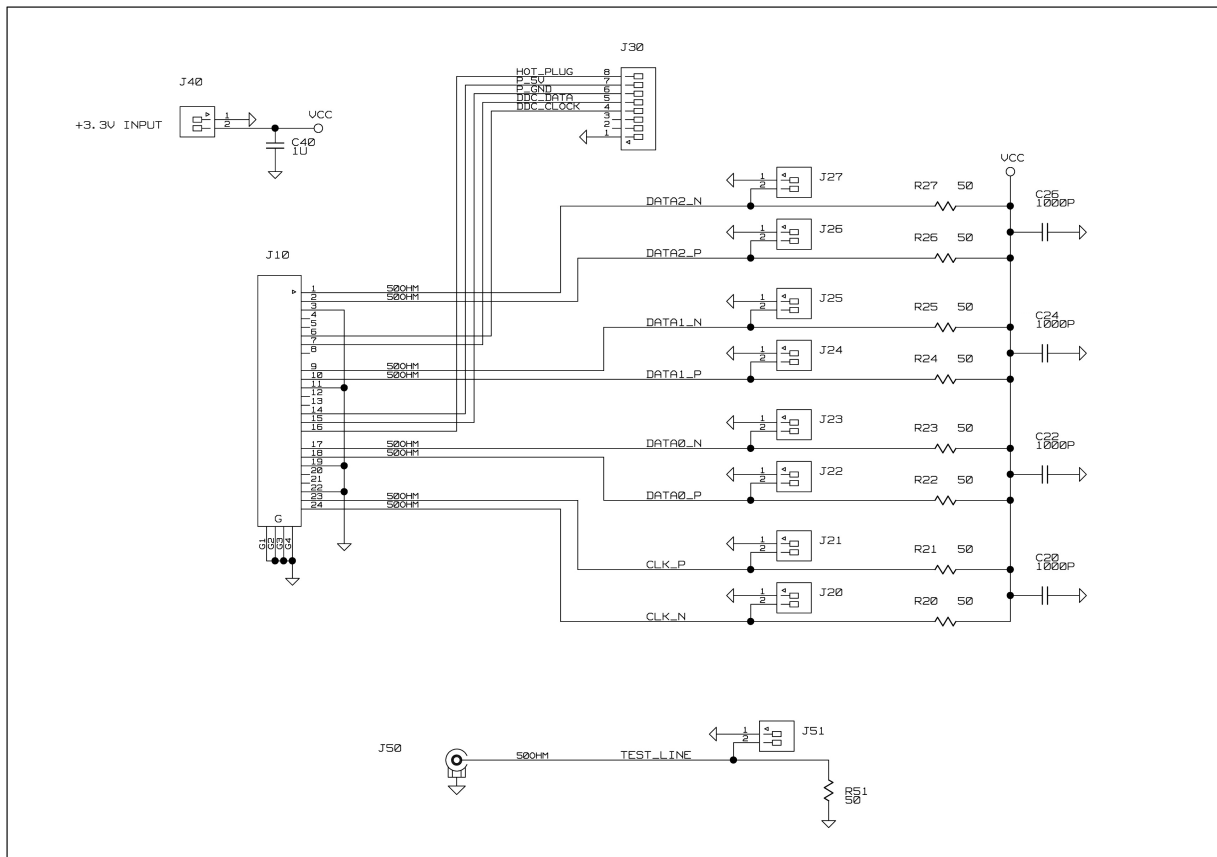


■ DVI TPA-R SE board

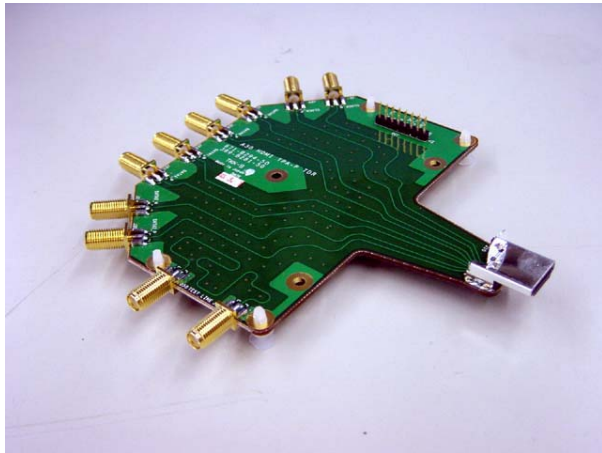


This adapter is used to terminate DVI signal and pick up with single-ended probe connected to oscilloscope.

J10:	DVI receptacle connector
J20 to J27	Header pin for single-ended probe
J30:	Control signal monitor terminal
J40:	VCC(3.3V) input
J50:	Impedance validation connector
J51:	Test signal monitor terminal

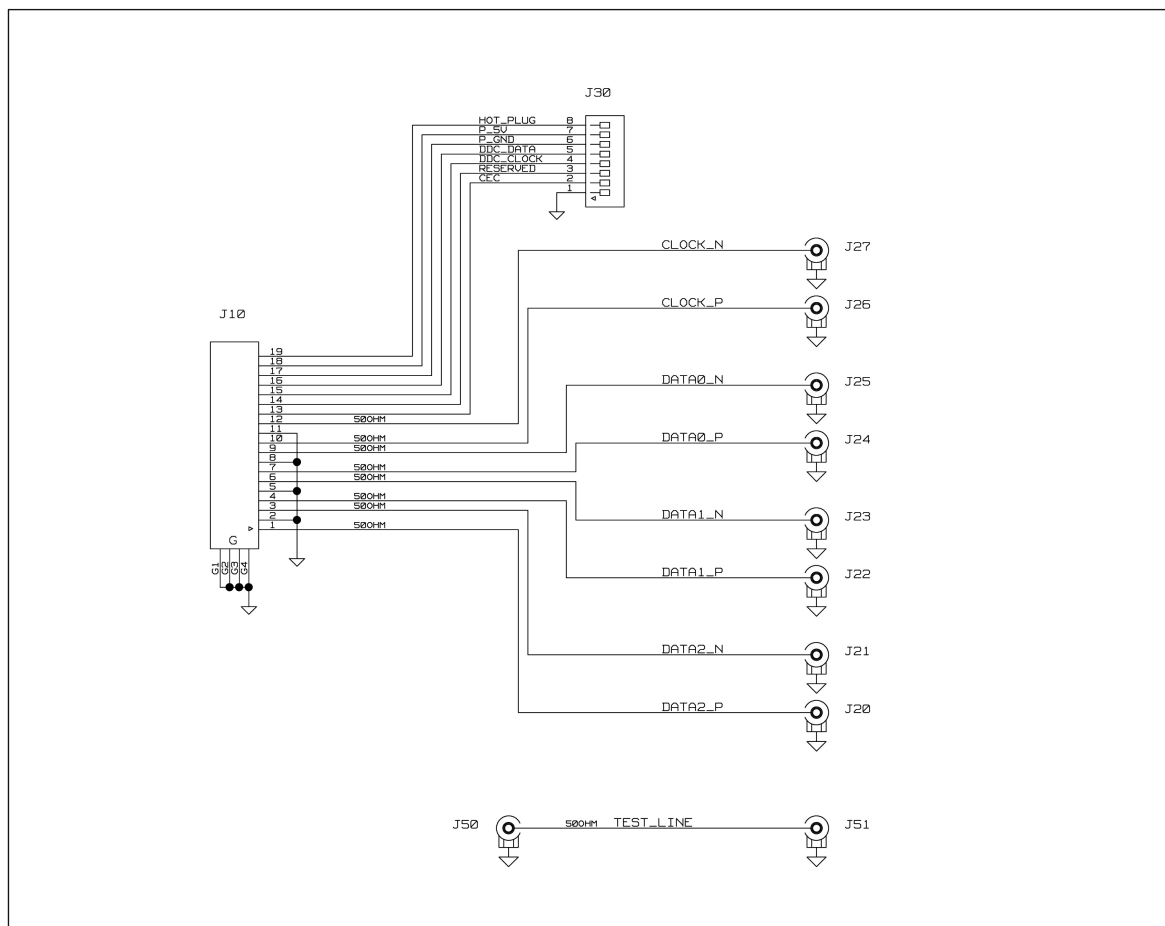


■ HDMI TPA-P TDR board

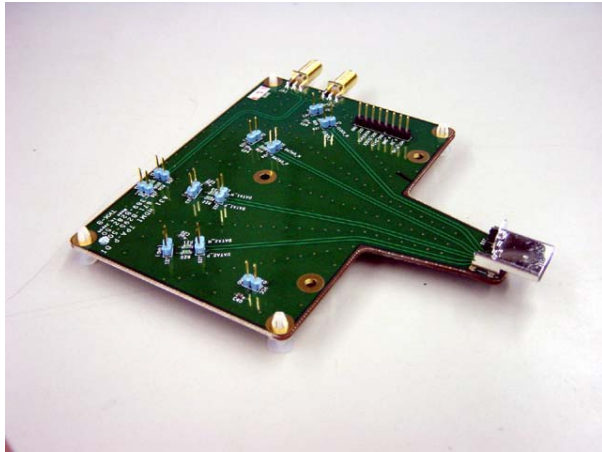


This adapter is used to change the output of the signal generator into HDMI I. Signal from Data Generator is connected to test system without HDMI cable influence.

J10:	HDMI plug connector
J20 to J27:	T.M.D.S signal input or output.
J30:	Control signal monitor
J50 to J51:	Impedance validation connector

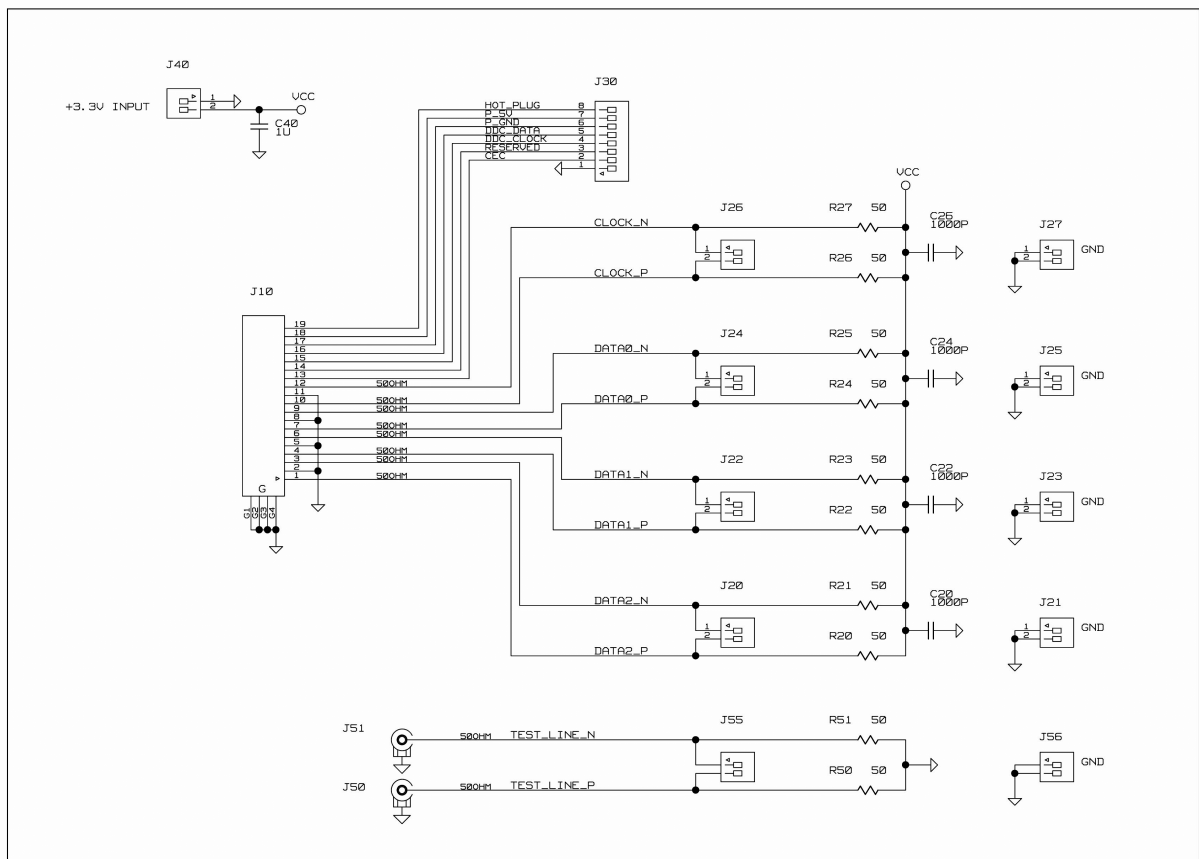


■ HDMI TPA-P DI board

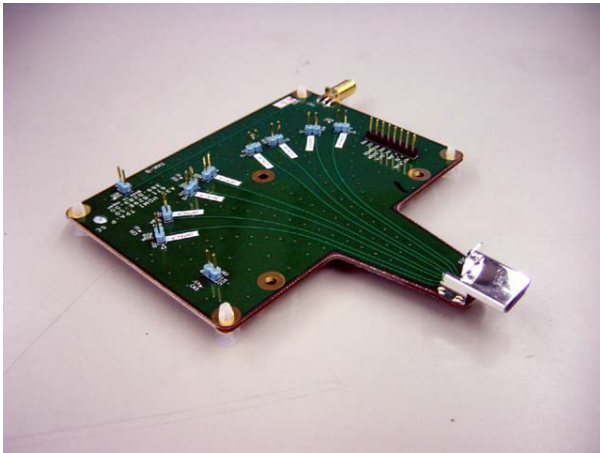


This adapter is used to terminate HDMI signal and pick up with differential probe connected to oscilloscope.

J10:	HDMI plug connector
J20, J22, J24, J26:	Header pin for differential probe
J21, J23, J25, J27:	GND terminal
J30:	Control signal monitor terminal
J40:	VCC(3.3V) input terminal
J50, J51:	Impedance validation connector.
J55	Test signal monitor terminal
J56	GND terminal

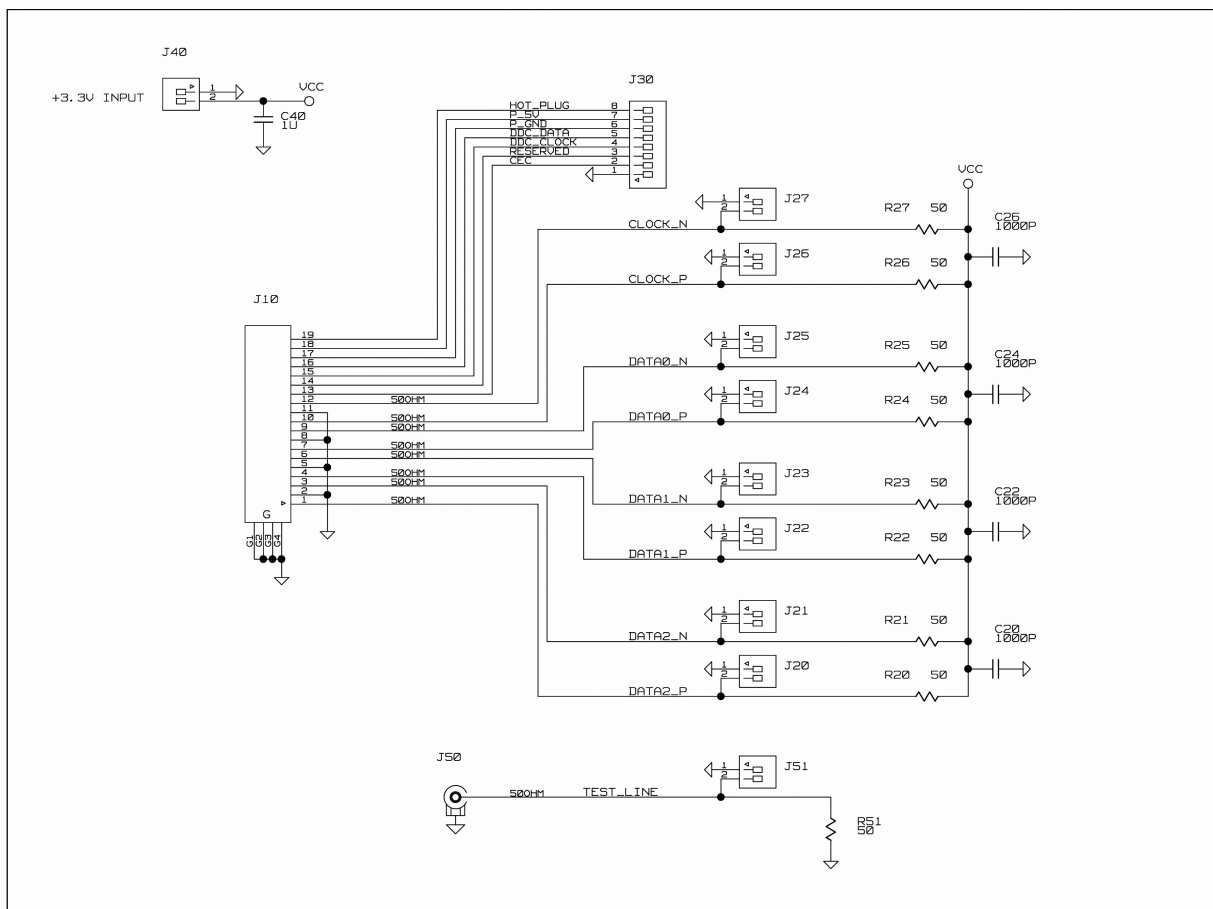


■ HDMI TPA-P SE board

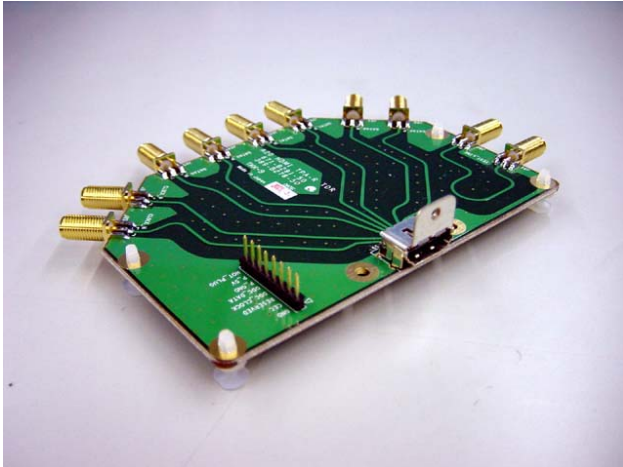


This adapter is used to terminate HDMI signal and pick up with single-ended probe connected to oscilloscope.

J10:	HDMI plug connector
J20 to J27	Header pin for single-ended probe
J30:	Control signal monitor terminal
J40:	VCC(3.3V) input
J50:	Impedance validation connector
J55	Test signal monitor terminal

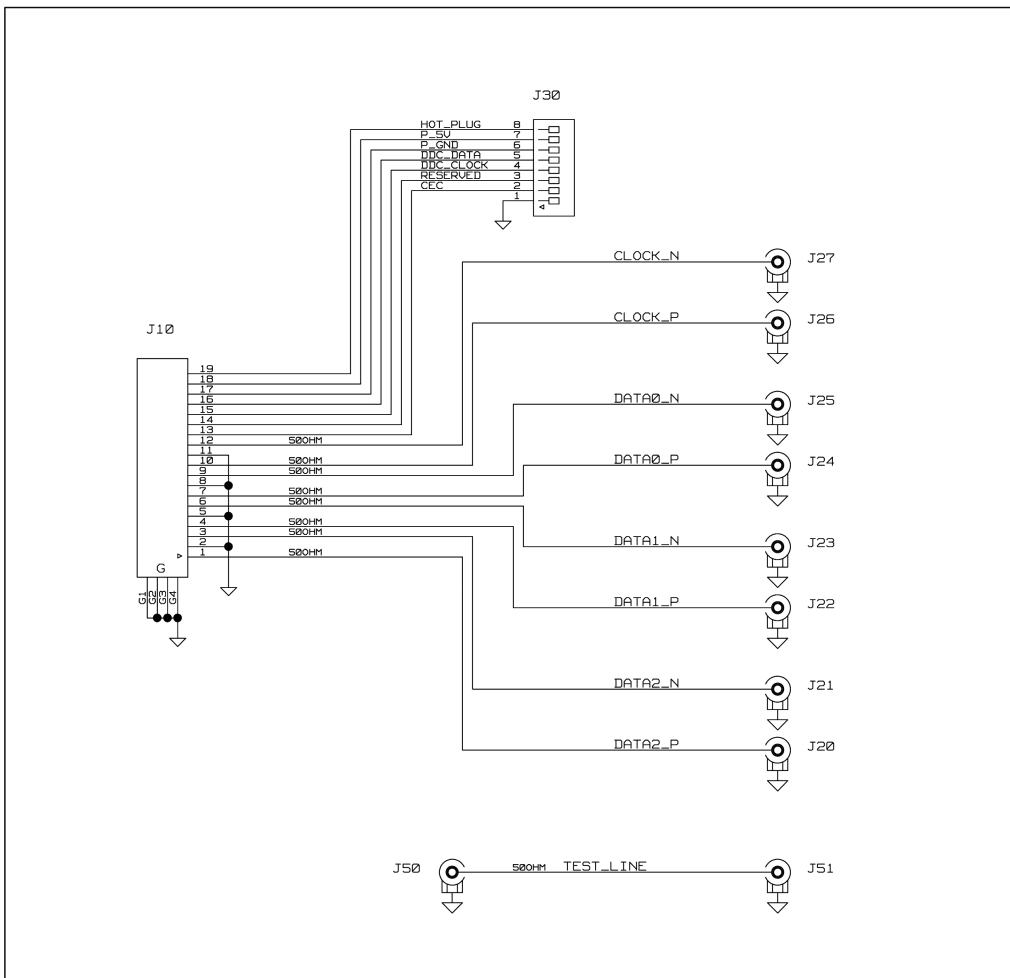


■ HDMI TPA-R TDR board

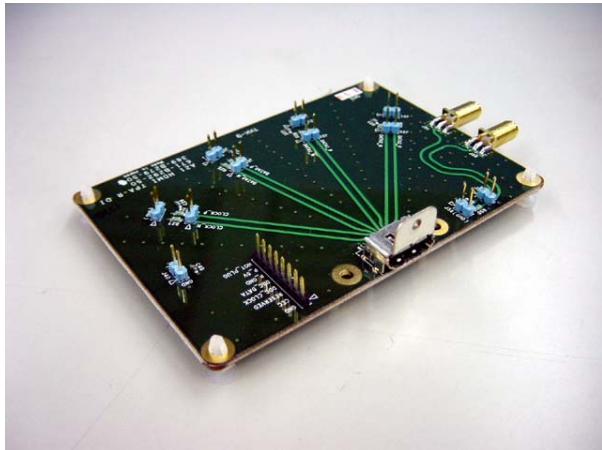


This adapter is used to change the output of the signal generator into HDMI or used to measure HDMI cable impedance with digital sampling oscilloscope.

J10:	HDMI receptacle connector
J20 to J27:	T.M.D.S signal input or output.
J30:	Control signal monitor
J50 to J51:	Impedance validation connector

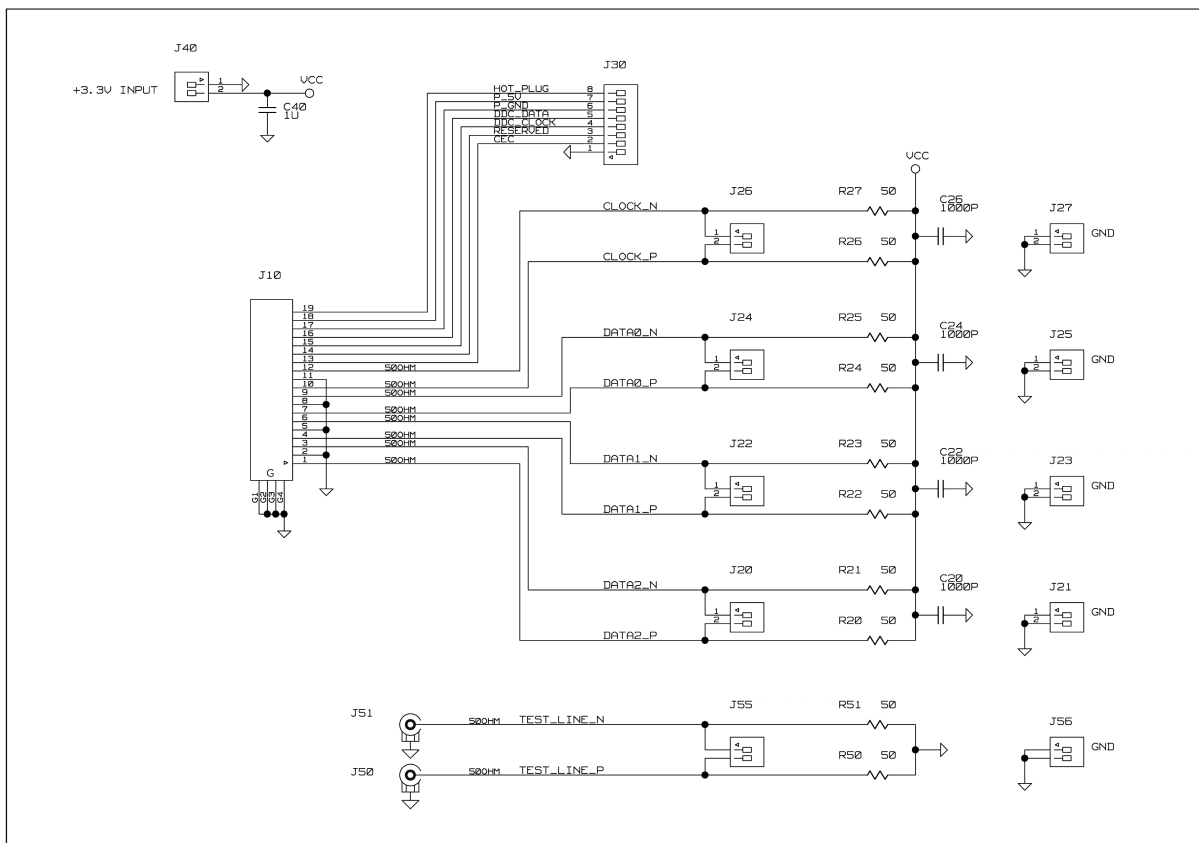


■ HDMI TPA-R DI board



This adapter is used to terminate HDMI signal and pick up with differential probe connected to oscilloscope.

J10:	HDMI receptacle connector
J20, J22, J24, J26:	Header pin for differential probe
J21, J23, J25, J27:	GND terminal
J30:	Control signal monitor terminal
J40:	VCC(3.3V) input terminal
J50, J51:	Impedance validation connector
J55	Test signal monitor terminal
J56	GND terminal



■ HDMI TPA-R SE board



This adapter is used to terminate HDMI signal and pick up with single-ended probe connected to oscilloscope.

J10:	HDMI receptacle connector
J20 to J27	Header pin for single-ended probe
J30:	Control signal monitor terminal
J40:	VCC(3.3V) input
J50:	Impedance validation connector
J51:	Test signal monitor terminal

